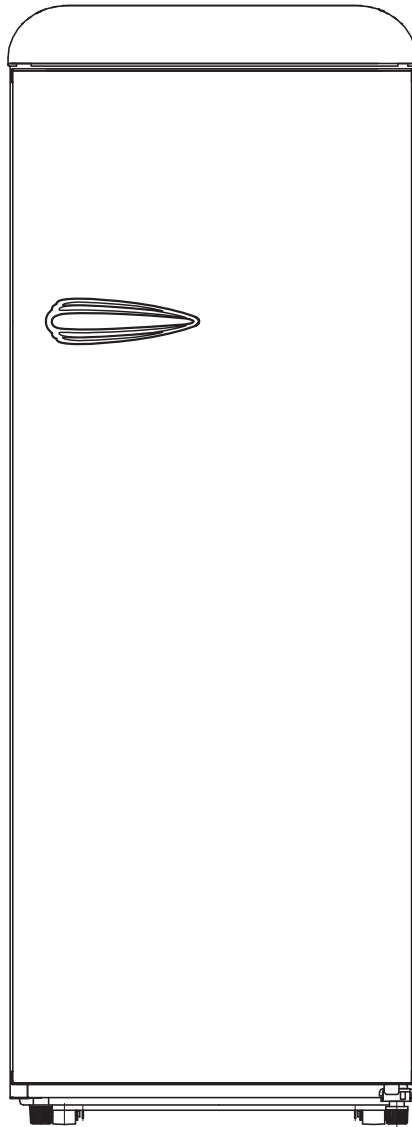


# SIBIR



**OT23010FR / OT23010AB / OT23010BL**

User manual  
Bedienungsanleitung  
Manual de l'utilisateur

English . . . . .	Page EN 2
Deutsch . . . . .	Page DE 2
Français . . . . .	Page FR 2

Read the instruction carefully. To avoid any risk of personal injury, material damage or incorrect use of the appliance, be sure to observe the following safety precautions. (After reading these owner's instructions, please keep them in a safe place for reference). Remember to hand them over to any subsequent owner.

## General

This product uses environment friendly refrigerant with the advantages of high energy efficiency compressor, high cooling capacity and ease of use.

### REGULATIONS, WARNINGS AND IMPORTANT RECOMMENDATIONS

This product is in conformity with the European safety regulations in force relative to electrical equipment. It has undergone extensive trials and meticulous tests to evaluate safety and reliability.

Before using the appliance, carefully read this manual in order to know exactly what to do and what not to do.

Improper use can be dangerous, especially for children.

Before connecting the appliance, check that the data on the plate correspond to that of your system.

Do not litter the recyclable packaging material, but take it to a waste disposal plant for recycling.

The electrical safety of this appliance is ensured only if connected to an electrical system equipped with an efficient ground clamp in accordance with the law. It is obligatory to check this fundamental safety requirement. In case of doubt, request an accurate control of the system by a qualified technician (Act 46/90).

Some fundamental rules must be observed in the use of this appliance, as with any electrical equipment:

- do not touch the appliance with moist or wet hands or feet
- do not pull on the power supply cable to pull the plug from the socket
- do not expose the appliance to atmospheric agents
- do not allow children to use the appliance without supervision
- do not pull out or insert the plug with wet hands; before any cleaning or maintenance work, disconnect the appliance from the mains by either pulling out the plug or switching off the main system switch.
- in case of breakdown or improper functioning switch off the appliance and do not tamper with it.

Children aged from 3 to 8 years are allowed to load and unload refrigerating appliances.

This appliance can be used by children aged from 8 years and above and by persons with reduced physical, sensory or mental capabilities or lack of experience and knowledge if they have been given supervision or instruction concerning use of the appliance in a safe way and understand the hazards involved.

Children shall not play with the appliance.

Cleaning and user maintenance shall not be made by children without supervision.

To avoid contamination and depravity of food, please respect the following instructions:

- Opening the door for long periods can cause a significant increase of the temperature in the of the appliance.

- Cleaning regularly surfaces that can come in contact with food and is accessible for drainage systems.

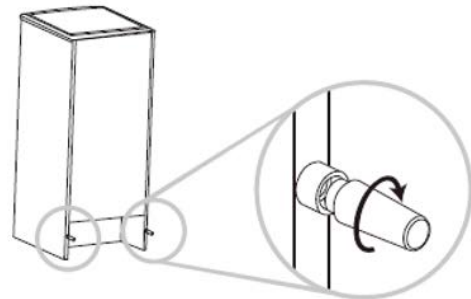
- Clean water tanks if they have not been used for 48 h. or more; Flush the water system connected to a water supply if water has not been drawn for 5 days or more.

- Store raw meat and fish in suitable containers in the refrigerator, so it is not in contact with, or can drip onto other food.

- Two-star frozen-food compartments are suitable for storing pre-frozen food, storing or making ice-cream and making ice cubes.

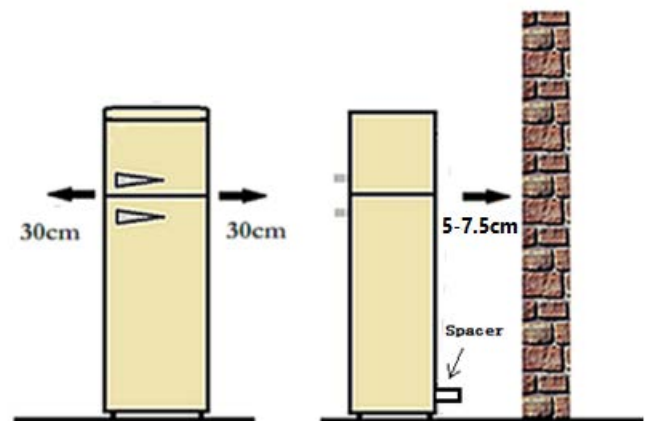
- One-, two- and three-star compartments are not suitable for the freezing of fresh food.

- If the refrigerating appliance is left empty for long periods, switch off, defrost, clean, dry, and leave the door open to prevent mould developing within the appliance.



The appliance is supplied with two plastic spacers (in the plastic bag of user manual). After installation of these spacers, the appliance cannot be pushed against the wall to maintain proper ventilation. Insert the spacers into the relevant openings on the back of the appliance, then screw the spacers tightly.

Placed the appliance against a wall with a free distance not exceeding 50-75 mm.



This refrigerating appliance is not intended to be used as a built-in appliance.

Do not store explosive substance such as aerosol cans with flammable propellant in this appliance.

Warning: When positioning the appliance, ensure the supply cord is not trapped or damaged.

Warning: Do not locate multiple portable socket-outlets or portable power supplies at the rear of the appliances.

The LED lamp is non-replaceable.

- For domestic and indoor use only. This product must be installed according to national fittings standards.

- Product must be grounded. If the socket outlet or supply mains don't have grounded connection, you must not connect the appliance.

- If the supply cord is damaged, it must be replaced by the manufacturer, its service agent or similarly qualified persons in order to avoid a hazard.

- This appliance is not intended for use by persons (including children) with reduced physical, sensory or mental capabilities, or

lack of experience and knowledge, unless they have been given supervision or instruction concerning use of the appliance by a person responsible for their safety. Children should be supervised to ensure that they do not play with the appliance.

- CAUTION: In order to avoid a hazard due to inadvertent resetting of the thermal cutout, this appliance must not be supplied

through an external switching device, such as a timer, or connected to a circuit that is regularly switched on and off by the utility.

- The plug must be accessible after the installation.

- WARNING: Keep ventilation openings, in the appliance enclosure or in the built-in structure, clear of obstruction.

- WARNING: Do not use mechanical devices or other means to accelerate the defrosting process, other than those recommended by the manufacturer.

## Instruction for use

### Identification of the appliance.

You will find an identification label inside the refrigerator nearby the fruit and vegetable compartment

### Characteristics

The main characteristic of the refrigerator

- Automatic fridge defrost. The defrost water flows into a tray situated on the compressor from which it evaporates by the heat generated during the process of refrigeration.

### Warning

When you install your refrigerator, it is important to bear in mind the climatic rating of the appliance. In order to find out the climatic rating of your appliance, check the data rating plate. The appliance will function correctly within the ambient temperature range indicated in the table, according to its climatic rating

### Clima classes

Clima Class	Room temperature
N	+16°C to +32°C
N-ST	+16°C to +38°C
N-T	+16°C to +43°C
SN	+10°C to +32°C
SN-ST	+10°C to +38°C
SN-T	+10°C to +43°C
ST	+18°C to +38°C
T	+18°C to +43°C

## ELECTRICAL CONNECTION

Check that the main voltage corresponds to that indicated on the rating plate in the lower left side inside the refrigerator compartment. If the wall socket does not have an earth terminal, or if the plug does not fit into the socket, it is advisable to consult a qualified electrician. Do not use multiple plugs or adapters as they could cause heating and burning.

### Warning: this appliance must be earthed

If the appliance is not fitted with a plug, the connection to the mains power supply must be via a switch connected directly to the power supply terminals. This switch must guarantee single-pole disconnection of the appliance with a contact gap of at least 3 mm.

## MAINTENANCE

It is advisable to periodically clean the refrigerator

- outside, with a cloth dipped in a tepid solution of water and liquid soap and then rinse with clean water;
- inside; disconnect the appliance and wait for complete defrosting; wipe grids, shelves and liner with a cloth dipped in a tepid solution of water and sodium bicarbonate of soda; rinse with clean water and dry. Never use abrasive detergent and take care that water does not go inside the thermostat box.

The internal light bulb is located in the back section of the thermostat box. In case of prolonged absences, you should turn off the refrigerator and keep the door open to avoid the formation of mould and unpleasant smells.

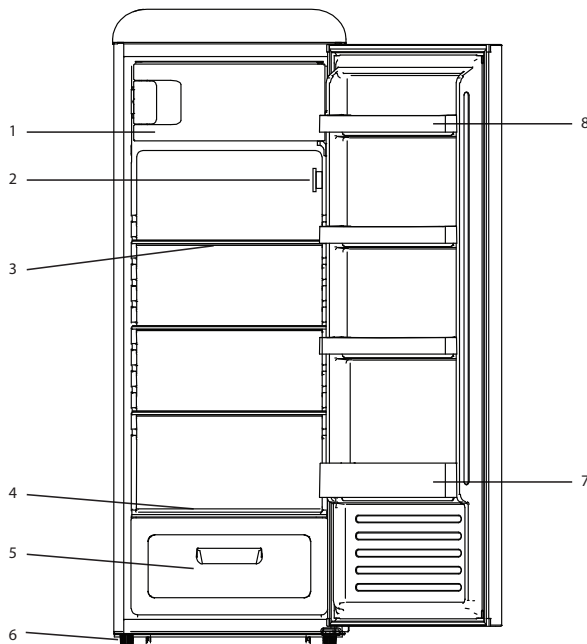
## AFTER SALES SERVICE

Before calling your local authorized agent if the refrigerator is not working check that the plug is properly inserted into the electric socket and that the thermostat is not set on position "0"; if the refrigerator is abnormally noisy, make sure it is perfectly leveled and that no external object is touching the back panel of the appliance; if the refrigerator does not produce enough cold, check that it has not been over loaded, that the door closes properly and that the condenser is not full of dust. If you should notice an excess amount of water in the lower part of the refrigerator (vegetable box and removable shelf), check that the drain hole for defrost water is not clogged.

The buyer is responsible for damages caused by faulty installation, and no responsibility can be accepted if the appliance is not earthed in accordance with the national standards rules presently in force.

At the end of the functional life of the equipment which uses cooling gas R600a (isobutane) and inflammable gas inside the insulating foam, it must be placed in safety before sending it to the waste disposal. For this operation contact your dealer and the local authorities.

**WARNING: Do not damage the refrigerant circuit**



## Product Features

### Main parts

1. Freezer
2. Thermostat of the refrigerator
3. Refrigerator shelf
4. Crisper lid
5. Vegetable and Fruit Tray
6. Adjustable feet
7. Bottle compartment
8. Egg compartment

The above illustration diagram may be different of the product. All the detail is respected to the accurate product only.

## Installation Instruction:

- 1 The appliance cannot tilt more than 45 degrees when you move it.  
  
Do not put force on any part as the condenser, the door and handle. It will be deformed surfaces or disrupt the operation of the refrigerator.
- 2 Make sure there is enough space around refrigerator. It will help for the appliance for ventilation
- 3 The appliance should be keep away from any heat source and sunshine.
- 4 This product complies with directives 2014/35/EU (LVD) and 2014/30/EU (EMC)
- 5 For domestic and indoor use only. This product must be installed according to national fittings standards
- 6 Product must be grounded. If the socket outlet or supply mains don't have grounded connection, you must not connect the appliance.
- 7 If the supply cord is damaged, it must be replaced by the manufacturer, its service agent or similarly qualified persons in order to avoid a hazard.
- 8 This appliance is not intended for use by persons (including children) with reduced physical, sensory or mental capabilities, or lack of experience and knowledge, unless they have been given supervision or instruction concerning use of the appliance by a person responsible for their safety,  
  
Children should be supervised to ensure that they do not play with the appliance.
- 9 **CAUTION:** In order to avoid a hazard due to inadvertent resetting of the thermal cutout, this appliance must not be supplied through an external switching device, such as a timer, or connected to a circuit that is regularly switched on and off by the utility
- 10 The plug must be accessible after the installation
- 11 **WARNING:** Keep ventilation openings, in the appliance enclosure or in the built-in structure, clear of obstruction.
- 12 **WARNING:** Do not use mechanical devices or other means to accelerate the defrosting process, other than those recommended by the manufacturer.
- 13 **WARNING:** Do not damage the refrigerant circuit.
- 14 **WARNING:** Do not use electrical appliances inside the food storage compartments of the appliance, unless they are of the type recommended by the manufacturer.



LED replace Replaceable (LED only) light source by professional.  
This product contain light source of energy efficiency class G.

When storing food in the appliance, follow the recommendations below

### **Fresh Food Compartment**

#### **Dairy and multi-purpose Guard**

- Store fatty foods, like butter and cheese.
- Store small, packed foods, like milk, yogurt and beverages.

#### **Egg tray**

- Put eggs into the egg tray as shown in the figure and store the tray in a convenient place in one of the multi-purpose guards.

### **Refrigerator compartment: 1°C to 5°C**

This is the area where the food should be stored to be kept cold:

- raw and uncooked foods should always be wrapped
- pre-cooked chilled foods, such as ready meals, meat pies, soft cheeses.
- Pre-cooked meats such as beef and ham,
- prepared salads (including pre-washed salad greens, rice, potato salad mixed cut and pre packaged, etc.).
- desserts, such as fresh cheese, homemade products, and leftovers of the cream or cakes.

#### **Crisper**

Vegetables, fruit, fresh salads, unwashed lettuce, tomatoes, and radishes should be stored in this compartment.

#### **NOTES:**

Always place raw meat, fish and poultry on the lowest shelf of the refrigerator.

Ensure that food is well-wrapped or covered before it is stored. This will prevent food from dehydrating, deteriorating in colour or losing flavor and will help maintain freshness. It will also prevent cross-flavouring.

- Never let any oil or grease come into contact with the plastic fittings or door seals, as these materials easily become porous.

### **Freezer**

#### **Upper freezer shelf**

Store packed frozen foods, like ice cream and bacon.

#### **Lower freezer room**

Seal food in containers with lids, in plastic wrap or in plastic bags to prevent drying and the mingling of odors.

### **Wrapping food**

Pack the food in suitably sized portions for your household.

Vegetable and fruit portions should be no heavier than 1 kg, while meat portions can be up to 2.5 kg.

Smaller portions freeze through more quickly and the quality is thereby maintained better when defrosting and preparing the food.

It is important to seal food in airtight bags or containers before freezing to prevent it from losing flavor or dehydrating.

Wrap the food, press out any air and seal it airtight.

#### **Suitable wrapping materials:**

Plastic bags, cling-film, aluminium foil and freezer containers. These items are available from any dealer.

#### **Unsuitable wrapping materials:**

Wrapping paper, greaseproof paper, cellophane, bin bags or used carrier bags.

#### **Suitable sealing materials:**

Rubber bands, plastic clips, string, freezer tape or similar.

Plastic film and bags may be heat-sealed using a special sealing iron or press.

Before placing a package in the freezer, it should be clearly labelled with the contents and date of freezing.

**Only an authorized technician can change the LED in the event of a fault.**

### **Operation precaution**

- 1 Ensure the supply voltage of socket are same as rating label.
- 2 The plug must be completely inserted to the wall socket.
- 3 Do not pour any liquid to the appliance.
- 4 Never store any explosive substances like gasoline, flammable liquid inside the appliance

### **First Time to use**

- 1 When using the refrigerator for the first time, set the thermostat inside the refrigerator at 5 and connected to the socket without anything. Generally it will take 2-3 hours for the appliance reaches temperature, place the food inside.
- 2 The temperature of the refrigerator can be adjusted by rotating the disc of the thermostat. The five levels are best for most uses. The highest value on the disc of the thermostat, the maximum value of refrigeration.
- 3 Do not put too much food in the refrigerator. Just open the door so as to maintain a constant temperature of the refrigerator and save electricity.

- Defrost the freezer when the layer of ice on the walls reaches 3-4 mm. During thawing, remove the food, set the thermostat at level 0 and open the door. When the ice has melted, remove water and dry the interior walls of the refrigerator. Then reset the thermostat to the desired level and restart the machine.

#### Warnings:

- When it thaws, do not use blades or metal objects to remove ice from the wall to avoid damage to surfaces.
- Do not store bottles flat in the freezer to prevent their breakage due to freezing.
- Reconnect the power by insert the plug to the socket after an interval of 10 minutes.



#### Warning; Risk of fire / flammable materials

**WARNING:** When positioning the appliance, ensure the supply cord is not trapped or damaged.

**WARNING:** Do not locate multiple portable socket-outlets or portable power supplies at the rear of the appliance.

#### Maintenance & Cleaning

- When cleaning the refrigerator, disconnect the plug. Rub with a cloth moistened with natural detergent, and then clean with fresh water.
- Never use acids, chemicals, paint thinner, gasoline or similar to clean the refrigerator, because they may damage paint and plastic parts of it.

#### Maintenance & Cleaning

- When cleaning the refrigerator, disconnect the plug. Rub with a cloth moistened with natural detergent, and then clean with fresh water.
- Never use acids, chemicals, paint thinner, gasoline or similar to clean the refrigerator, because they may damage paint and plastic parts of it.

#### Troubleshooting

##### If the refrigerator does not run: make sure that

- Check the supply voltage is supplied
- Check that the power plug is correctly connected.

##### If the refrigerator does not become cold enough: make sure that

- The thermostat is set too low
- There is enough space around the refrigerator.
- The door is opened too frequently.
- Does sun shine on the appliance or are there heat sources nearby.
- Too many food inside the compartment

##### If frozen food found in the refrigerator are: make sure that

- The thermostat is set too high
- There are few foods in the refrigerator

##### If the refrigerator operates noisily: make sure that

- Check that the appliance is installed on a stable, level floor
- The refrigerator is too near the wall
- The food stored in the refrigerator touch each other.

#### Note:

During high relative humidity environment, condensation may occurred the surface of the refrigerator. This is not malfunction. Clean the surface. If the refrigerator is not working properly after all these checks, contact the service center without further delay.

The guarantee follows the instructions that you will find in the warranty conditions.

The bill of sale is the warranty, keep it. For any questions in the course of use, please contact your local service center.

#### Disposal

The European directive 2012/19/EC on Waste Electrical and Electronic Equipment (WEEE), requires that old household electrical appliances must not be disposed in the normal unsorted municipal waste stream. Old appliances must be collected separately in order to optimize the recovery and recycling of the materials they contain and reduce the impact on human health and the environment.

The crossed out "wheeled bin" symbol on the product reminds you of your obligation, that when you dispose of the appliance it must be separately collected.

Consumers should contact their local authority or retailer for information concerning the correct disposal of their old appliance.

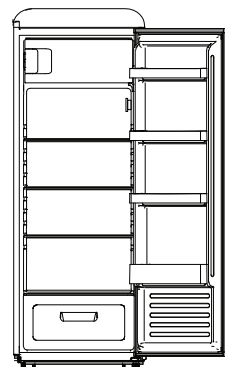
#### Power Saving Tips

Install the appliance in a cool, dry room with adequate ventilation. Ensure that it is not exposed to direct sunlight and never put it near a direct source of heat (radiator, for example).

- Never block any vents or grilles on the appliance.
- Allow warm food to cool down before placing it in the appliance.
- Put frozen food in the refrigerator to thaw.

You can then use the low temperatures of the frozen products to cool food in the refrigerator.

- Defrost the freezer when ice has collected. A thick layer of ice may impair the transfer of cold to frozen products and thus increase the energy consumption of the appliance.
- Do not keep the door of the appliance open for too long when putting food in or taking food out.  
The shorter the time for which the door is open, the less ice will form in the freezer.
- You have the obligation to use the selective collection systems that are available to you.



Meaning of the \*-labelling of freezers

- i** 1- (\*), 2- (\*\*), and 3-stars (\*\*\*) freezers are not suitable for freezing fresh food.
- i** 2-stars (\*\*) and 3-stars (\*\*\*) freezers are suitable for storing frozen food (pre-frozen) and ice or for making ice and ice cubes.

COMPARTMENTS	STARS (*)	TARGET STORAGE TEMPERATURE	SUITABLE FOOD
FREEZER	(***)*	≤ -18 °C	<ul style="list-style-type: none"> <li>➤ Suitable for seafood (fish, shrimps, shellfish), freshwater and meat products.</li> <li>➤ Recommended storage period: <b>3 months</b></li> <li><b>i</b> <b>Suitable</b> for freezing <b>fresh</b> food.</li> </ul>
FREEZER	***	≤ -18 °C	<ul style="list-style-type: none"> <li>➤ Suitable for seafood (fish, shrimps, shellfish), freshwater and meat products.</li> <li>➤ Recommended storage period: <b>3 months</b></li> <li><b>i</b> <b>Not suitable</b> for freezing <b>fresh</b> food.</li> </ul>
FREEZER	**	≤ -12 °C	<ul style="list-style-type: none"> <li>➤ Suitable for seafood (fish, shrimps, shellfish), freshwater and meat products.</li> <li>➤ Recommended storage period: <b>2 months</b></li> <li><b>i</b> <b>Not suitable</b> for freezing <b>fresh</b> food.</li> </ul>
FREEZER	*	≤ -6 °C	<ul style="list-style-type: none"> <li>➤ Suitable for seafood (fish, shrimps, shellfish), freshwater and meat products.</li> <li>➤ Recommended storage period: <b>1 month</b></li> <li><b>i</b> <b>Not suitable</b> for freezing <b>fresh</b> food.</li> </ul>
0* - COMPARTMENT	-	-6 °C - 0 °C	<ul style="list-style-type: none"> <li>➤ Suitable for fresh meat products (pork, beef, chicken, etc.) and processed food consumed or processed within the same day or within the next three days after storage (max.).</li> <li><b>i</b> <b>Not suitable</b> for freezing food or for storing frozen food.</li> </ul>



Lesen Sie die Anleitung sorgfältig durch. Um jegliche Risiken von Personen- oder Sachschäden oder die unsachgemäße Nutzung des Geräts zu verhindern, befolgen Sie bitte die folgenden Sicherheitsvorkehrungen. (Nachdem Sie diese Anleitung gelesen haben, bewahren Sie sie für zukünftige Fragen an einem sicheren Ort auf.) Denken Sie daran, sie jeglichem nachfolgenden Besitzer auszuhändigen.

## Allgemein

Dieses Gerät verwendet umweltfreundliche Kühlmittel und bietet den Vorteil eines hochleistungsfähigen Kompressors, einer starken Kühlleistung und einer ausgezeichneten Benutzerfreundlichkeit.

### REGULIERUNGEN, WARNUNGEN UND WICHTIGE EMPFEHLUNGEN

Dieses Produkt entspricht den geltenden europäischen Sicherheitsregelungen für elektrische Geräte. Es wurde umfassenden Prüfungen und akribischen Tests unterzogen, um die Sicherheit und die Zuverlässigkeit zu bewerten.

Bevor Sie das Gerät nutzen, lesen Sie dieses Handbuch sorgfältig durch, um mehr über Gebote und Verbote zu erfahren.

Die unsachgemäße Nutzung kann gefährlich sein, insbesondere für Kinder.

Bevor Sie das Gerät anschließen, überprüfen Sie, ob die Angaben auf dem Typenschild jenen ihrer Stromanlage entsprechen.

Werfen Sie das recycelbare Verpackungsmaterial nicht weg, sondern bringen Sie es zum Recycling zu einer Abfallentsorgungsstelle.

Die elektrische Sicherheit dieses Gerätes wird nur gewährleistet, wenn es an ein elektrisches Netz angeschlossen wird, das mit einer ausreichenden, gesetzlich vorgeschriebenen Erdung ausgestattet ist. Es ist unabdingbar, diese grundlegende Sicherheitsanforderung zu überprüfen. Fordern Sie bei Zweifeln eine genaue Prüfung der Anlage durch einen qualifizierten Techniker an (Art 46/90).

Es sind einige grundlegenden Regeln bei der Nutzung dieses Gerätes zu beachten, wie auch bei anderen elektrischen Geräten:

- Berühren Sie das Gerät nicht mit feuchten oder nassen Händen oder Füßen
- Ziehen Sie nicht am Stromkabel, um den Stromstecker aus der Steckdose zu ziehen
- Setzen Sie das Gerät nicht atmosphärischen Agenzien aus
- Vermeiden Sie die unbeaufsichtigte Nutzung durch Kinder
- Ziehen Sie nicht den Stecker und stecken Sie diesen nicht mit nassen Händen ein. Bevor Sie das Gerät reinigen oder warten, trennen Sie die Verbindung zur Stromversorgung, indem Sie entweder den Stecker ziehen oder die Stromversorgung abschalten.
- Schalten Sie das Gerät im Falle eines Defekts oder einer unsachgemäßen Funktionsweise ab und versuchen Sie nicht, es eigenhändig zu reparieren.

Kinder zwischen 3 und 8 Jahre können Kühlgeräte füllen und entleeren.

Dieses Gerät kann von Kindern ab 8 Jahren und von Personen mit eingeschränkten körperlichen, sensorischen oder geistigen Fähigkeiten und von Personen, denen es an Erfahrung und Kenntnis mangelt, benutzt werden, sofern sie beaufsichtigt werden oder in die sichere Benutzung des Gerätes unterwiesen und die damit verbundenen Gefahren verstehen.

Kinder dürfen nicht mit dem Gerät spielen.

Die Reinigung und die vom Benutzer durchzuführenden Wartungsarbeiten dürfen von Kindern nur unter Aufsicht durchgeführt werden.

Um Lebensmittelkontaminierung zu vermeiden, beachten Sie bitte die nachfolgenden Anleitungen:

- Das Öffnen der Tür für längere Zeit kann die Temperatur in den Fächern des Gerätes erheblich erhöhen.

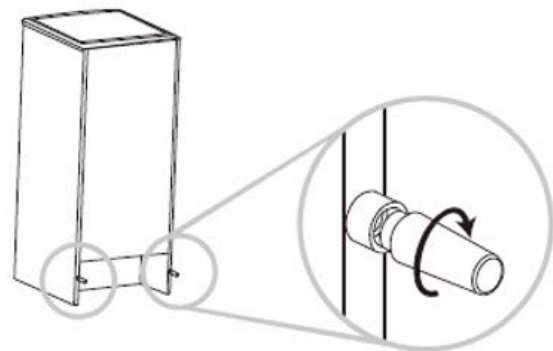
- Oberflächen, die mit Lebensmitteln in Berührung kommen, und die freiliegenden Entwässerungssysteme regelmäßig reinigen.

- Rohes Fleisch und Fisch in geeigneten Behältern im Kühlschrank aufbewahren, sodass sie nicht mit anderen Lebensmitteln in Kontakt kommen oder deren Säfte auf andere Lebensmittel tropfen können.

- Zwei-Sterne-Gefrierfächer sind zur Lagerung bereits tiefgefrorener Lebensmittel, Lagerung oder Zubereitung von Eiscrème und Eiswürfeln geeignet.

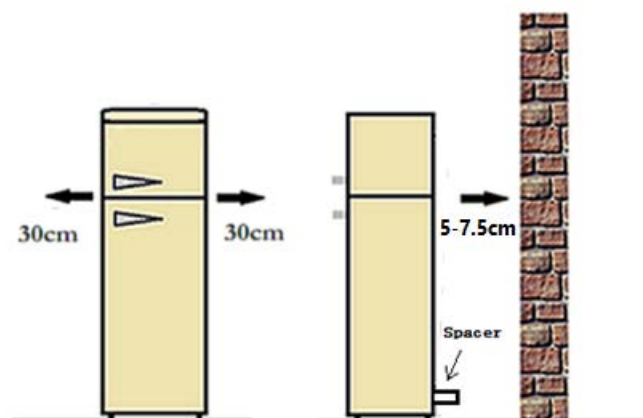
- Ein-, Zwei- und Drei-Sterne-Fächer sind nicht zum Einfrieren frischer Lebensmittel geeignet.

- Kühlgerät ausschalten, abtauen, reinigen, abtrocknen und die Tür geöffnet lassen, wenn es für längere Zeit leer steht, um Schimmelbildung im Gerät zu vermeiden.



Das Gerät wird mit zwei Abstandshaltern aus Kunststoff geliefert (in der Plastiktüte der Bedienungsanleitung). Nach der Installation dieser Abstandshalter kann das Gerät nicht mehr gegen die Wand gedrückt werden, um eine ausreichende Belüftung zu gewährleisten. Setzen Sie die Abstandshalter in die entsprechenden Öffnungen auf der Rückseite des Geräts ein und schrauben Sie sie fest.

Stellen Sie das Gerät an eine Wand mit einem freien Abstand von höchstens 50-75 mm.



Dieses Kühlgerät ist nicht als Einbaugerät bestimmt.

Lagern Sie keine explosiven Stoffe wie Aerosoldosen mit brennbarem Treibmittel in diesem Gerät.

Stellen Sie beim Aufstellen des Geräts sicher, dass das Netzkabel nicht eingeklemmt oder beschädigt wird.

Stellen Sie nicht mehrere tragbare Steckdosen oder tragbare Netzteile auf der Rückseite der Geräte auf.

Die LED-Lampe ist nicht austauschbar.

- Nur für den Hausgebrauch und den Gebrauch im Innenbereich vorgesehen. Dieses Produkt muss gemäß nationalen Montagestandards aufgebaut werden.

- Das Produkt muss geerdet werden. Sollte die Steckdose oder die Stromversorgung nicht geerdet sein, so dürfen Sie das Gerät nicht anschließen.

- Sollte das Stromkabel beschädigt sein, so muss dieses durch den Hersteller, den Kundendienst oder einer ähnlich qualifizierten Person ausgetauscht werden, um Gefahren zu vermeiden.

- Dieses Gerät ist nicht für die Nutzung durch Personen (einschließlich Kinder) mit eingeschränkten körperlichen, Sinnes- und geistigen Fähigkeiten, oder mit mangelnder Erfahrung und Kenntnis vorgesehen, sofern sie nicht von einer für ihre Sicherheit verantwortlichen Person beaufsichtigt werden oder eine Einweisung in Bezug auf das Gerät erhalten. Kinder sind zu beaufsichtigen, um sicherzustellen, dass sie nicht mit dem Gerät spielen.

- VORSICHT: Um eine Gefahr aufgrund einer versehentlichen Neueinstellung der thermischen Sicherung zu vermeiden, darf dieses Gerät nicht über eine externe Schaltvorrichtung, wie eine Schaltuhr, bedient werden, oder an einen Kreislauf angeschlossen werden, der regelmäßig vom Stromversorger ein- und abgeschaltet wird.

- Der Stecker muss nach dem Aufbau frei zugänglich sein.

- WARNUNG: Halten Sie die Belüftungsöffnungen im Gerätegehäuse oder im Inneren des Gerätes frei von Hindernissen.

- WARNUNG: Verwenden Sie keine mechanischen Geräte oder andere Mittel, die nicht vom Hersteller empfohlen werden, um den Enteisungsprozess zu beschleunigen.

## Bedienungsanleitung

### Kennzeichnung des Gerätes.

Sie finden im Inneren des Kühlschranks, in der Nähe des Obst- und Gemüsefachs, ein Typenschild.

### Charakteristiken

Die wesentlichen Charakteristiken des Kühlschranks sind:

- Automatische Enteisung. Das Enteisungswasser fließt in eine Auffangvorrichtung, die sich auf dem Kompressor befindet, von wo aus es aufgrund der Hitzeenergie während des Kühlprozesses verdampft.

### Warnung

Wenn Sie Ihren Kühlschrank aufstellen, sollten Sie die klimatische Nennkapazität des Gerätes bedenken. Die klimatische Nennkapazität Ihres Gerätes finden Sie auf dem Gerätekennezeichnungsschild. Das Gerät funktioniert ordnungsgemäß innerhalb des in der Tabelle angegebenen Zimmertemperaturbereichs, gemäß seiner klimatischen Nennkapazität

### Klima klasse

Klima klasse	Zimmer temperatur
N	+16°C bis +32°C
N-ST	+16°C bis +38°C
N-T	+16°C bis +43°C
SN	+10°C bis +32°C
SN-ST	+10°C bis +38°C
SN-T	+10°C bis +43°C
ST	+18°C bis +38°C
T	+18°C bis +43°C

## ELEKTRISCHER ANSCHLUSS

Prüfen Sie, ob die Hauptspannung der auf dem Typenschild in der unteren linken Seite des Kühlschrankfachs angegebenen Spannung entspricht. Wenn die Steckdose nicht über eine Erdung verfügt, oder wenn der Stecker nicht in die Steckdose passt, sollten Sie einen qualifizierten Elektriker hinzuziehen. Benutzen Sie keine Mehrfachstecker oder -adapter, da dies zu Überhitzung und Feuer führen kann.

### Warnung: Dieses Gerät muss geerdet sein.

Wenn das Gerät nicht mit einem Stecker versehen ist, muss der Anschluss an die Stromversorgung über einen Schalter erfolgen, der direkt mit den Stromanschlüssen verbunden ist. Dieser Schalter muss eine einpolige Unterbrechung des Gerätes mit einem Kontaktabstand von mindestens 3 mm gewährleisten.

## WARTUNG

Es wird empfohlen, den Kühlschrank regelmäßig zu reinigen:

- die Außenseite, mit einem Tuch und einer lauwarmen Lösung aus Wasser und Flüssigseife, und anschließend mit klarem Wasser abspülen;
- im Inneren; trennen Sie das Gerät von der Stromversorgung und warten Sie, bis es komplett enteist ist. Wischen Sie Gitter, Regale und Auskleidung mit einem Tuch und einer lauwarmen Wasser-Natron-Lösung ab. Mit klarem Wasser ausspülen und abtrocknen. Verwenden Sie niemals aggressive Lösemittel und achten Sie darauf, dass das Wasser nicht in das Thermostatgehäuse eindringt.

Die Glühbirne im Inneren des Kühlschranks befindet sich im hinteren Bereich des Thermostatgehäuses. Sie sollten den Kühlschrank bei längerer Abwesenheit abschalten und die Tür offen lassen, um die Bildung von Schimmel und unangenehmen Gerüchen zu vermeiden.

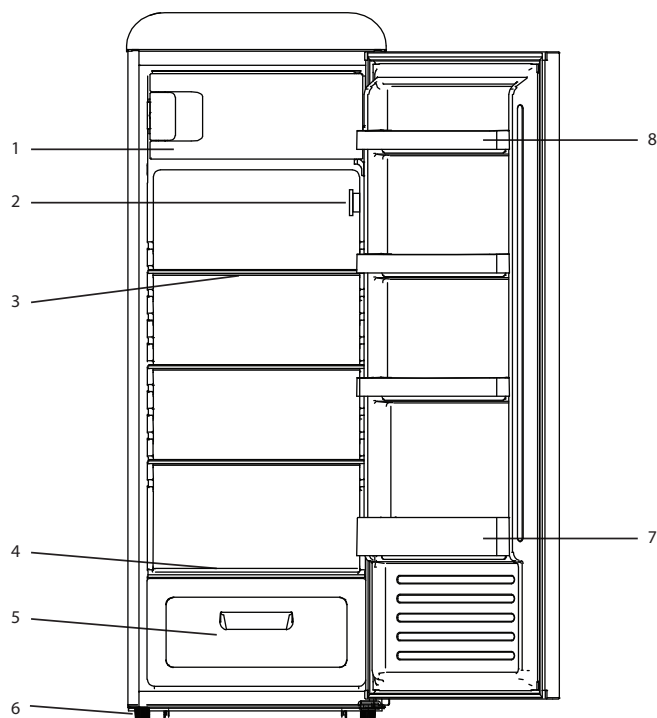
## KUNDENDIENST

Bevor Sie Ihren lokalen, zugelassenen Handelsvertreter anrufen, wenn der Kühlschrank nicht funktioniert, prüfen Sie, ob der Stecker richtig in der Steckdose steckt und ob das Thermostat auf "0" gestellt ist. Sollte der Kühlschrank ungewöhnlich laut sei, so vergewissern Sie sich, dass dieser eben aufgestellt ist und dass keine äußeren Objekte die Rückseite des Gerätes berühren. Sollte der Kühlschrank nicht ausreichend Kälte generieren, so prüfen Sie, ob dieser überlastet ist, ob die Tür richtig schließt und ob der Kondensator verstaubt ist. Sollten Sie eine übermäßige Menge an Wasser im unteren Bereich des Kühlschranks (Gemüsefach und abnehmbare Ablage) feststellen, so prüfen Sie, ob der Abfluss für das Enteisungswasser verstopft ist.

Der Käufer ist verantwortlich für Schäden durch eine falsche Aufstellung. Es wird keine Haftung übernommen, wenn das Gerät nicht gemäß nationalen und geltenden Standards geerdet wurde.

Am Ende ihrer Lebenszeit sind Geräte, die Kühlgas R600a (Isobutan) und brennbares Gas im Inneren des Isolierschaums verwenden, sicher aufzustellen, bevor sie an die Abfallentsorgung gesendet werden. Kontaktieren Sie hierfür Ihren Händler und die lokalen Behörden.

**WARNUNG: Beschädigen Sie nicht den Kühlkreislauf**



## Produkteigenschaften

### Hauptbauteile

1. Freezer
2. Thermostat des Kühlschranks
3. Kühlschrankregal
4. Crisper Deckel
5. Gemüse- und Obstschale
6. Einstellbare Füße
7. Flaschenfach
8. Fach

Die obige Darstellung kann vom tatsächlichen Produkt abweichen. Alle Details gelten nur für das jeweilige Produkt.

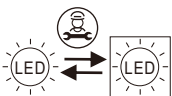
### Aufbauanleitung:

1. Das Gerät darf nicht um mehr als 45 Grad geneigt werden, wenn Sie es bewegen.

Üben Sie keine Gewalt auf irgendwelche Bauteile aus, wie den Kondensator, die Tür und den Griff. Hierdurch würden die Oberflächen verformt oder der Betrieb des Kühlschranks gestört.

2. Achten Sie darauf, dass ausreichend Platz um den Kühlschrank herum vorhanden ist. Hierdurch wird das Gerät besser belüftet.
3. Das Gerät ist fern von jeglichen Wärmequellen und aus der Sonne zu halten.
4. Dieses Produkt entspricht den Richtlinien 2014/35/EU (LVD) und 2014/30/EU (EMC).
5. Nur für den Hausgebrauch und den Gebrauch im Innenbereich vorgesehen. Dieses Produkt muss gemäß nationalen Montagestandards aufgebaut werden.
6. Das Produkt muss geerdet werden. Sollte die Steckdose oder die Stromversorgung nicht geerdet sein, so dürfen Sie das Gerät nicht anschließen.
7. Sollte das Stromkabel beschädigt sein, so muss dieses durch den Hersteller, den Kundendienst oder einer ähnlich qualifizierten Person ausgetauscht werden, um Gefahren zu vermeiden.
8. Dieses Gerät ist nicht für die Nutzung durch Personen (einschließlich Kinder) mit eingeschränkten körperlichen, Sinnes- und geistigen Fähigkeiten, oder mit mangelnder Erfahrung und Kenntnis vorgesehen, sofern sie nicht von einer für ihre Sicherheit verantwortlichen Person beaufsichtigt werden oder eine Einweisung in Bezug auf das Gerät erhalten.  
Kinder sind zu beaufsichtigen, um sicherzustellen, dass sie nicht mit dem Gerät spielen.
9. **VORSICHT:** Um eine Gefahr aufgrund einer versehentlichen Neueinstellung der thermischen Sicherung zu vermeiden, darf dieses Gerät nicht über eine externe Schaltervorrichtung, wie eine Schaltuhr, bedient werden, oder an einen Kreislauf angeschlossen werden, der regelmäßig vom Stromversorger ein- und abgeschaltet wird.
10. Der Stecker muss nach dem Aufbau frei zugänglich sein.

11. **WARNUNG:** Halten Sie die Belüftungsöffnungen im Gerätegehäuse oder im Inneren des Gerätes frei von Hindernissen.
12. **WARNUNG:** Verwenden Sie keine mechanischen Geräte oder andere Mittel, die nicht vom Hersteller empfohlen werden, um den Enteisungsprozess zu beschleunigen.
13. **WARNUNG:** Beschädigen Sie nicht den Kühlkreislauf.
14. **WARNUNG:** Verwenden Sie keine elektrischen Geräte im Inneren der Lebensmittelfächer des Gerätes, sofern diese nicht vom Hersteller empfohlen werden.



Lichtquelle, die nur durch einen Fachmann ausgetauscht werden darf (nur LED).  
Dieses Produkt enthält zwei Lichtquellen der Energieeffizienzklasse G.

Wenn Sie Lebensmittel im Gerät lagern, befolgen Sie die nachfolgenden Empfehlungen

## Frischefach

### Milchprodukt- und Mehrzweckhalterung

- Zum Lagern von fetthaltigen Lebensmitteln, wie Butter und Käse.
- Zum Lagern von kleinen, verpackten Lebensmitteln, wie Milch, Joghurt und Getränken.

### Eierfach

- Setzen Sie Eier wie abgebildet in das Eierfach und bewahren Sie das Eierfach an einer angemessenen Stelle in einem der Mehrzweckhalterungen auf.

## Kühlschrankfach: 1°C bis 5°C

In diesem Fach werden Lebensmittel aufbewahrt, die kühl zu lagern sind:

- Rohe und ungekochte Lebensmittel sind immer einzupacken
- vorgekochte, gekühlte Lebensmittel, wie Fertiggerichte, Fleischpasteten, Weichkäse;
- Vorgekochtes Fleisch, wie Rindfleisch und Schinken;
- vorbereitete Salate (einschließlich gewaschener Blattsalat, Reis- und Kartoffelsalat und eingepackter Salat, usw.);
- Desserts, wie Frischkäse, hausgemachte Produkte und Sahne- oder Kuchenreste.

### Gemüsefach

Dies ist der feuchteste Bereich des Kühlschranks.

Gemüse, Obst, frischer Salat, ungewaschener Blattsalat, Tomaten und Radieschen sind in diesem Fach zu lagern.

## HINWEISE:

Lagern Sie rohes Fleisch, Fisch und Geflügel immer auf dem untersten Regal des Kühlschranks.

Vergewissern Sie sich, dass es gut eingepackt oder abgedeckt ist, bevor Sie es lagern. Hierdurch wird verhindert, dass die Lebensmittel dehydrieren, ihre Farbe verändern oder an Geschmack verlieren und die Frische bewahrt. Es verhindert außerdem das Vermischen von Aromastoffen.

- Verhindern Sie immer, dass Öl oder Fett in Kontakt mit Plastikteilen oder Türdichtungen kommt, da diese Materialien sonst porös werden können.

## Gefrierfach

### Oberes Gefrierfach

Zum Aufbewahren von Lebensmitteln in kleinen Portionen.

### Unteres Gefrierfach

Versiegeln Sie Lebensmittel in Behältern mit Deckeln, in Plastikfolien oder -beuteln, um das Austrocknen und das Vermischen von Aromen zu vermeiden.

## Einpacken von Lebensmitteln

Packen Sie Lebensmittel in angemessen großen Portionen für den Haushalt ein.

Gemüse- und Obstportionen sollten nicht schwerer als 1kg sein, während Fleischportionen bis zu 2,5kg wiegen können.

Kleinere Portionen frieren schneller ein. Dadurch wird die Qualität besser bewahrt, wenn die Lebensmittel aufgetaut und zubereitet werden.

Es ist wichtig, Lebensmittel in luftdichten Beuteln oder Behältern zu versiegeln, bevor sie eingefroren werden, um den Verlust von Aroma oder Feuchtigkeit zu vermeiden.

Packen Sie Lebensmittel ein, drücken Sie jegliche Luft heraus und versiegeln Sie die Verpackung luftdicht.

### Geeignetes Verpackungsmaterial:

Plastikbeutel, Frischhaltefolie, Alufolie und Gefrierbehälter. Diese Gegenstände sind im Handel erhältlich.

### Ungeeignetes Verpackungsmaterial:

Packpapier, fettgedichtetes Papier, Cellophan, Mülltüten oder gebrauchte Einkaufstüten.

### Geeignetes Versiegelungsmaterial:

Gummibänder, Plastikclips, Schnur, Freezer Tape oder ähnliches.

Plastikfolie und -tüten können mithilfe eines speziellen Laminiergerätes oder einer Laminierpresse hitzeversiegelt werden.

Bevor Sie eine Verpackung in das Gefrierfach legen, sollte es deutlich mit einem Aufkleber versehen werden, der den Inhalt und das Datum des Einfrierens anzeigt.

**Nur ein autorisierter Techniker kann die LED im Fehlerfall wechseln.**

## Betriebsvorbereitung

- 1 Stellen Sie sicher, dass die Versorgungsspannung der Steckdose den Angaben auf dem Typenschild entspricht.
- 2 Der Stecker muss vollständig in die Steckdose eingesteckt werden.
- 3 Schütten Sie keine Flüssigkeiten in das Gerät.
- 4 Lagern Sie niemals explosive Substanzen, wie Kraftstoff und brennbare Flüssigkeiten innerhalb des Gerätes.

## Erste Inbetriebnahme

- 1 Wenn Sie den Kühlschrank zum ersten Mal in Betrieb nehmen, stellen Sie das Thermostat im Inneren des Kühlschranks auf "5" und schließen Sie den Kühlschrank an die Steckdose an. Im Allgemeinen dauert es 2-3 Stunden, bis das Gerät seine vorgesehene Temperatur erreicht. Legen Sie die Lebensmittel anschließend hinein.
- 2 Die Temperatur des Kühlschranks kann durch Drehen der Thermostatscheibe eingestellt werden. Die fünf Stufen eignen sich für die meisten Anwendungsbereiche. Die höchste Stufe auf der Thermostatscheibe entspricht der höchsten Stufe des Kühlschranks.
- 3 Lagern Sie nicht zu viele Lebensmittel im Kühlschrank. Öffnen Sie die Tür nur so oft, dass eine konstante Temperatur des Kühlschranks bewahrt und Strom gespart wird.
- 4 Enteisen Sie das Gefrierfach, wenn die Eisschicht an den Wänden 3-4 mm dick ist. Entnehmen Sie während des Auftauvorgangs die Lebensmittel, stellen Sie das Thermostat auf "0" und öffnen Sie die Tür. Wenn das Eis geschmolzen ist, entfernen Sie das Wasser und trocknen Sie die Innenwände des Kühlschranks. Stellen Sie das Thermostat anschließend auf die gewünschte Stufe und nehmen Sie das Gerät erneut in Betrieb.

### Warnungen:

- Verwenden Sie während des Auftauvorgangs keine Klappen oder Metallgegenstände, um das Eis von den Wänden zu entfernen, um Beschädigungen der Oberflächen zu vermeiden.
- Lagern Sie keine Flaschen flach im Gefrierfach, um ein Zerplatzen während des Gefriervorgangs zu vermeiden.
- Schließen Sie das Gerät wieder an die Stromversorgung an, indem Sie den Stromstecker nach 10 Minuten in die Steckdose stecken.



### Warnung: Brandgefahr / entzündliche Materialien

- **WARNUNG:** Vergewissern Sie sich beim Aufstellen des Geräts, dass das Netzkabel nicht eingeklemmt oder beschädigt ist.
- **WARNUNG:** Verwenden Sie auf der Rückseite des Geräts keine Mehrfachsteckdosen oder Netzteile.

## Wartung und Reinigung

- 1 Ziehen Sie bei der Reinigung des Kühlschranks den Stecker aus der Steckdose. Wischen Sie den Kühlschrank mit einem mit natürlichem Lösemittel befeuchteten Tuch ab und spülen Sie ihn anschließend mit klarem Wasser ab.
- 2 Verwenden Sie niemals Säuren, Chemikalien, Farbverdünner, Benzin oder ähnliche Mittel, um den Kühlschrank zu reinigen, da hierdurch die Lackierung und die Plastikteile beschädigt werden können.

## Problembhebung

### Sollte der Kühlschrank nicht funktionieren:

- Prüfen Sie, ob die Stromversorgung gewährleistet ist
- Prüfen Sie, ob der Stromstecker richtig eingesteckt ist

### Sollte der Kühlschrank nicht richtig kalt werden:

Vergewissern Sie sich, dass

- das Thermostat nicht zu niedrig eingestellt ist
- ausreichend Platz um den Kühlschrank herum vorhanden ist
- die Tür nicht zu oft geöffnet wird
- keine Sonne auf das Gerät scheint oder dass sich keine anderen Wärmequellen in der Nähe befinden
- nicht zu viele Lebensmittel im Kühlschrankfach gelagert werden

### Sollten die Lebensmittel im Kühlschrank gefroren sein:

Vergewissern Sie sich, dass

- das Thermostat nicht zu hoch eingestellt ist
- sich nicht zu wenige Lebensmittel im Kühlschrank befinden

### Sollte der Kühlschrank laut sein:

Vergewissern Sie sich, dass

- das Gerät auf einem ebenen, stabilen Untergrund aufgestellt ist
- der Kühlschrank nicht zu nah an der Wand steht
- die im Kühlschrank gelagerten Lebensmittel sich nicht gegenseitig berühren.

### Hinweis:

Bei einer hohen Luftfeuchtigkeit kann sich Kondenswasser auf der Kühlschrankoberfläche bilden. Dies ist keine Fehlfunktion. Reinigen Sie die Oberfläche. Sollte der Kühlschrank nicht richtig funktionieren, nachdem Sie diese Punkte überprüft haben, kontaktieren Sie umgehend das Service-Center.

Die Garantie unterliegt den Anweisungen, die Sie in den Gewährleistungsbedingungen finden.

Die Kaufrechnung dient als Garantie. Bewahren Sie diese auf. Bei jeglichen Fragen im Laufe der Nutzung, kontaktieren Sie bitte Ihr lokales Service-Center.

## Entsorgung

Die europäische Richtlinie 2012/19/EC - Elektro- und Elektronikalt- bzw. Schrottgeräte ("Waste Electrical and Electronic Equipment" - WEEE) sieht vor, dass alte elektrische Haushaltgeräte nicht mit dem normalen, nicht-getrennten Abfall entsorgt werden dürfen. Alte Geräte müssen getrennt gesammelt werden, um die Wiederaufbereitung und das Recycling der enthaltenen Stoffe zu optimieren und die Auswirkung auf die menschliche Gesundheit und die Umwelt zu reduzieren.

Das durchgestrichene "Abfallcontainer"-Symbol auf dem Produkt weist auf Ihre Verpflichtung hin, das Gerät bei seiner Entsorgung getrennt zu sammeln.

Verbraucher sollten für Informationen in Bezug auf die richtige Entsorgung ihres alten Gerätes ihre lokale Behörde oder ihren Einzelhändler kontaktieren.

## Energiespartips

- Stellen Sie das Gerät in einem kühlen, trockenen und ausreichend belüfteten Raum auf. Vermeiden Sie direkte Sonneneinstrahlung, und stellen Sie es nie in der Nähe einer direkten Wärmequelle (Heizkörper usw.) auf.
- Decken Sie die Lüftungsöffnungen und -gitter des Geräts nicht ab.
- Lassen Sie warme Lebensmittel abkühlen, bevor Sie sie im Gerät einlagern.
- Legen Sie gefrorene Lebensmittel zum Auftauen in das Kühlabteil.

Sie können so die niedrige Temperatur der gefrorenen Lebensmittel zum Kühlen der übrigen Lebensmittel einsetzen.

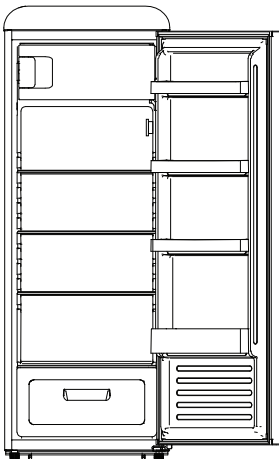
- Tauen Sie das Gefrierabteil ab, wenn sich Eis bildet. Eine dicke Eisschicht beeinträchtigt die Kältezufuhr zu den gefrorenen Produkten und erhöht den Stromverbrauch.
- Lassen Sie die Tür des Gefrierabteils nicht zu lange offen, wenn Sie Lebensmittel herausnehmen oder hineinlegen.

Je weniger die Tür geöffnet wird, um so weniger Eis bildet sich im Innern.

- Wenn Sie Lebensmittel einfrieren oder im Gefrierabteil einlagern, legen Sie sie direkt auf die

Gefriererelemente im oberen Fach.

- U hebt de verplichting om de selectieve inzamelsystem te gebruiken die voor dir beschikbaar zijn.



Bedeutung der \*-Kennzeichnung von Tiefkühlgeräten

- i** 1- (\*), 2- (\*\*) und 3-Sterne- (\*\*\*) Tiefkühlgeräte sind nicht zum Einfrieren von frischen Lebensmitteln geeignet.
- i** 2-Sterne (\*\*) und 3-Sterne- (\*\*\*) Tiefkühlgeräte sind zur Aufbewahrung von Tiefkühlkost (bereits eingefroren) und Eis oder zum Herstellen von Eis und Eiswürfeln geeignet.

FÄCHER	STERNE (*)	ZIELTEMPERATUR FÜR DIE LAGERUNG	GEEIGNETE LEBENSMITTEL
TIEFKÜHLGERÄT	(***)*	≤ -18 °C	<ul style="list-style-type: none"> <li>➤ Geeignet für Meeresfrüchte (Fisch, Garnelen, Schalentiere), Süßwasser und Fleischprodukte</li> <li>➤ Empfohlene Lagerdauer: <b>3 Monate</b></li> <li><b>i</b> <b>Geeignet</b> zum Einfrieren <b>frischer</b> Lebensmittel</li> </ul>
GEFRIERSCHRANK/-FACH	***	≤ -18 °C	<ul style="list-style-type: none"> <li>➤ Geeignet für Meeresfrüchte (Fisch, Garnelen, Schalentiere), Süßwasser und Fleischprodukte</li> <li>➤ Empfohlene Lagerdauer: <b>3 Monate</b></li> <li><b>i</b> <b>Nicht geeignet</b> zum Einfrieren <b>frischer</b> Lebensmittel</li> </ul>
GEFRIERSCHRANK/-FACH	**	≤ -12 °C	<ul style="list-style-type: none"> <li>➤ Geeignet für Meeresfrüchte (Fisch, Garnelen, Schalentiere), Süßwasser und Fleischprodukte</li> <li>➤ Empfohlene Lagerdauer: <b>2 Monate</b></li> <li><b>i</b> <b>Nicht geeignet</b> zum Einfrieren <b>frischer</b> Lebensmittel</li> </ul>
GEFRIERSCHRANK/-FACH	*	≤ 6 °C	<ul style="list-style-type: none"> <li>➤ Geeignet für Meeresfrüchte (Fisch, Garnelen, Schalentiere), Süßwasser und Fleischprodukte</li> <li>➤ Empfohlene Lagerdauer: <b>1 Monat</b></li> <li><b>Nicht geeignet</b> zum Einfrieren <b>frischer</b> Lebensmittel</li> </ul>
0* - FACH	-	-6 °C - 0 °C	<ul style="list-style-type: none"> <li>➤ Geeignet für frische Fleischprodukte (Schwein, Rind, Huhn usw.) und verarbeitete Lebensmittel, die am selben Tag oder innerhalb der nächsten drei Tage nach Einlagerung (max.) verzehrt oder zubereitet werden.</li> <li><b>i</b> <b>Nicht geeignet</b> zum Einfrieren von Lebensmitteln oder zum Lagern tiefgekühlter Lebensmittel.</li> </ul>

Lisez toutes les instructions avant d'utiliser l'appareil.

Cet appareil est uniquement destiné à une utilisation domestique et intérieure.

Cet appareil n'est pas prévu pour être utilisé par des personnes (y compris des enfants) dont les capacités physiques, sensorielles ou mentales sont réduites, ou des personnes dénuées d'expérience ou de connaissance, sauf si elles ont pu bénéficier, par l'intermédiaire d'une personne responsable de leur sécurité, d'une surveillance ou d'instructions préalables concernant l'utilisation de l'appareil.

Il convient de surveiller les enfants pour s'assurer qu'ils ne jouent pas avec l'appareil.

### **NORMES, AVERTISSEMENTS ET RECOMMANDATIONS IMPORTANTES**

Ce produit est conforme aux normes européennes de sécurité en vigueur relatives aux appareils électriques. Il a été soumis à de longs essais et à des tests méticuleux afin d'en évaluer la sécurité et la fiabilité.

Lire attentivement ce manuel avant d'utiliser l'appareil afin de savoir exactement ce qu'il faut faire et ce qu'il ne faut pas faire.

Une utilisation impropre de l'appareil risque d'être dangereuse, surtout pour les enfants.

Avant de brancher l'appareil, vérifiez que les données figurant sur la plaquette signalétique correspondent à celles de votre installation.

Les matériaux d'emballage sont recyclables, ne pas les abandonner dans l'environnement, les porter dans un centre spécialisé afin qu'ils soient recyclés.

La sécurité électrique de cet appareil est assurée uniquement lorsqu'il est relié à une installation électrique équipée d'une prise de terre en bon état, selon la norme en vigueur. En cas de doute, faire procéder à un contrôle soigné de l'installation par un technicien qualifié (loi 46/90).

L'utilisation de cet appareil, comme celle de tout appareil électrique, implique l'observation de certaines règles fondamentales :

- Si le câble d'alimentation est endommagé, il doit être remplacé par le fabricant, son service après-vente ou des personnes de qualification similaire afin d'éviter un danger.
- Ne pas toucher l'appareil avec des mains ou des pieds mouillés ou humides;
- ne pas tirer sur le câble d'alimentation pour débrancher la fiche de la prise;
- ne pas laisser l'appareil exposé aux agents atmosphériques;
- ne pas permettre que l'appareil soit utilisé par des enfants en l'absence de surveillance;
- ne pas débrancher ni brancher la fiche dans la prise de courant avec les mains mouillées; avant d'effectuer toute opération de nettoyage ou d'entretien, débrancher l'appareil du réseau d'alimentation électrique en débranchant la fiche ou en éteignant l'interrupteur principal de l'installation; La prise de courant doit rester accessible après l'installation de l'appareil.
- en cas de panne ou de mauvais fonctionnement, éteindre l'appareil et ne pas l'endommager.

Les enfants âgés de 3 à 8 ans sont autorisés à charger et décharger des appareils de réfrigération.

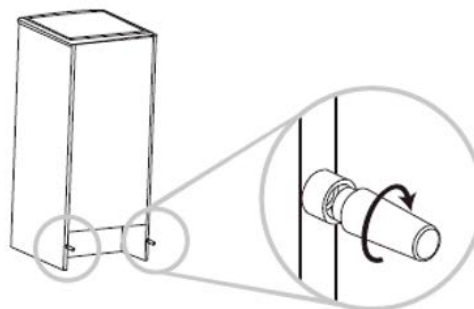
Cet appareil peut être utilisé par des enfants âgés de plus de 8 ans et des personnes aux capacités physiques, mentales ou sensorielles réduites, ou manquant d'expérience et de connaissances, à condition qu'ils bénéficient d'une surveillance ou d'indications nécessaires à une utilisation sûre de l'appareil et qu'ils comprennent les risques engendrés par son utilisation.

Les enfants ne doivent pas jouer avec l'appareil.

Le nettoyage et l'entretien de l'appareil ne doivent pas être effectués par des enfants sans surveillance.

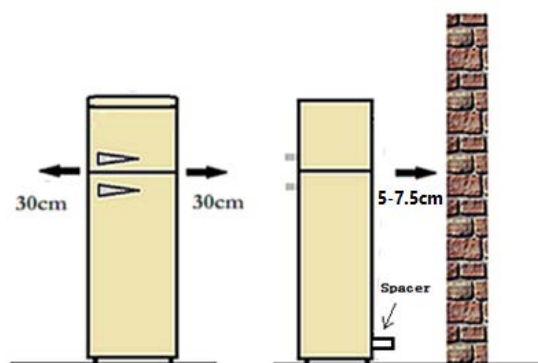
Pour éviter la contamination des aliments, veuillez respecter les instructions suivantes :

- L'ouverture prolongée de la porte peut entraîner une augmentation significative de la température dans les compartiments de l'appareil.
- Nettoyez régulièrement les surfaces pouvant entrer en contact avec des aliments et des systèmes de drainage accessibles.
- Conservez la viande et le poisson crus dans des récipients appropriés au réfrigérateur, de sorte qu'ils ne soient pas en contact et qu'ils ne s'égouttent pas sur d'autres aliments.
- Les compartiments deux étoiles pour produits congelés sont adaptés à la conservation des aliments congelés, au stockage ou à la fabrication de glaces et pour la fabrication de glaçons.
- Les compartiments à une, deux et trois étoiles ne conviennent pas pour la congélation d'aliments frais.
- Si l'appareil de réfrigération reste vide pendant de longues périodes, éteignez-le, dégivrez, nettoyez, séchez et laissez la porte ouverte pour éviter le développement de moisissure dans l'appareil.



L'appareil est fourni avec deux embouts en plastique (dans le sac en plastique du manuel d'utilisation). Après l'installation de ces embouts, l'appareil ne peut plus être poussé contre le mur pour assurer une ventilation adéquate. Insérez les embouts dans les ouvertures correspondantes à l'arrière de l'appareil, puis vissez-les.

Placez l'appareil contre un mur avec une distance libre ne dépassant pas 50-75mm.





Cet appareil de réfrigération n'est pas destiné à être utilisé comme appareil encastrable.

Ne stockez pas de substances explosives telles que des bombes aérosol contenant un propulseur inflammable dans cet appareil.

Lors du positionnement de l'appareil, assurez-vous que le cordon d'alimentation n'est pas coincé ou endommagé.

Ne placez pas plusieurs prises de courant portables ou blocs d'alimentation portables à l'arrière des appareils.

La lampe LED est non remplaçable.

- Le produit doit être mis à la terre. Si la prise de courant ou le secteur n'ont pas de connexion à la terre, vous ne devez pas connecter l'appareil.

- ATTENTION : Afin d'éviter un danger dû à la réinitialisation accidentelle du coupe-circuit thermique, cet appareil ne doit pas être alimenté par un dispositif de commutation externe, tel qu'une minuterie, ou connecté à un circuit qui est régulièrement allumé et éteint par le service public.

- La prise doit être accessible après l'installation

- Cet appareil est uniquement destiné à une utilisation domestique et intérieure.

- Cet appareil n'est pas prévu pour être utilisé par des personnes (y compris des enfants) dont les capacités physiques, sensorielles ou mentales sont réduites, ou des personnes dénuées d'expérience ou de connaissance, sauf si elles ont pu bénéficier, par l'intermédiaire d'une personne responsable de leur sécurité, d'une surveillance ou d'instructions préalables concernant l'utilisation de l'appareil.

Il convient de surveiller les enfants pour s'assurer qu'ils ne jouent pas avec l'appareil.

- MISE EN GARDE : Maintenir dégagées de toute obstruction les ouvertures de ventilation dans l'enceinte de l'appareil, dans sa partie extérieure ou dans sa structure d'encastrement.

- MISE EN GARDE: Ne pas utiliser de dispositifs mécaniques ou autres moyens pour accélérer le processus de dégivrage, autres que ceux recommandés par le fabricant.

- Si le câble d'alimentation est endommagé, il doit être remplacé par le fabricant, son service après-vente ou des personnes de qualification similaire afin d'éviter un danger.

## INSTRUCTIONS D'EMPLOI

### IDENTIFICATION DE L'APPAREIL

Sur chaque pareil est collée une plaque de signalisation située dans le réfrigérateur sur le coté adjacent la boîte pour les fruits et les légumes (Fig. 1)

### CARACTÉRISTIQUES

La caractéristique la plus importante de cet appareil est:

Dégivrage automatique de la cellule réfrigérateur. L'eau de dégivrage est convoyée dans un bac placé sur le compresseur d'où elle évapore avec la chaleur engendrée pendant le processus de réfrigération.

### ATTENTION!

Quand vous installez votre appareil frigorifique, il est important de tenir compte de la classe climatique du produit. Pour savoir à quelle classe climatique appartient votre réfrigérateur, veuillez contrôler la plaque des données comme indiquée ci-après: L'appareil frigorifique fonctionne correctement dans l'intervalle de température ambiante indiqué sur le tableau, selon la classe climatique.

classe	Température ambiante moyenne
N	de +16°C à +32°C
N-ST	de +16°C à +38°C
N-T	de +16°C à +43°C
SN	de +10°C à +32°C
SN-ST	de +10°C à +38°C
SN-T	de +10°C à +43°C
ST	de +18°C à +38°C
T	de +18°C à +43°C

## BRANCHEMENT ÉLECTRIQUE

Contrôler que les valeurs de tension du réseau électrique puissent supporter celles indiquées sur la plaquette caractéristiques placée au bas à gauche dans la partie interne du réfrigérateur.

Si la prise de courant n'est pas équipée d'une prise de terre, ou si la fiche n'est pas indiquée pour votre réseau, nous vous conseillons de vous adresser à un électricien spécialisé.

Ne pas employer d'adapteurs ou de dérivateurs afin d'éviter tout échauffement et brûlure.

Attention: cet appareil doit être mis à la terre.

Dans le cas où l'appareil n'est pas équipé de prise électrique, il faudra le brancher au réseau au moyen d'un interrupteur qui sera branché directement aux bornes d'alimentation. Cet interrupteur devra garantir une déconnexion unipolaire de l'appareil avec séparation des contacts non inférieure à 3 mm.

## ENTRETIEN

Il est conseillé de nettoyer périodiquement le réfrigérateur:

a) à l'extérieur, avec un chiffon imbibé d'une solution d'eau tiède et de savon liquide et puis rincer avec de l'eau propre;

b) à l'intérieur, enlever la fiche de la prise de courant, attendre que le compartiment approprié soit dégivré; l'intérieur du réfrigérateur, les grilles, les rayons peuvent être nettoyés avec de l'

'eau tiède et bicarbonate de soude, rincés avec de l'eau et essuyés; ne pas employer de détergents abrasifs et faire attention que l'eau ne pénètre pas dans la boîte du thermostat.

Dans la partie postérieure de la boîte du thermostat se trouve la lampe d'éclairage interne. Si l'appareil doit rester longtemps inactif, on conseille de débrancher le courant et de laisser la porte entrouverte pour éviter la formation des mauvaises odeurs.

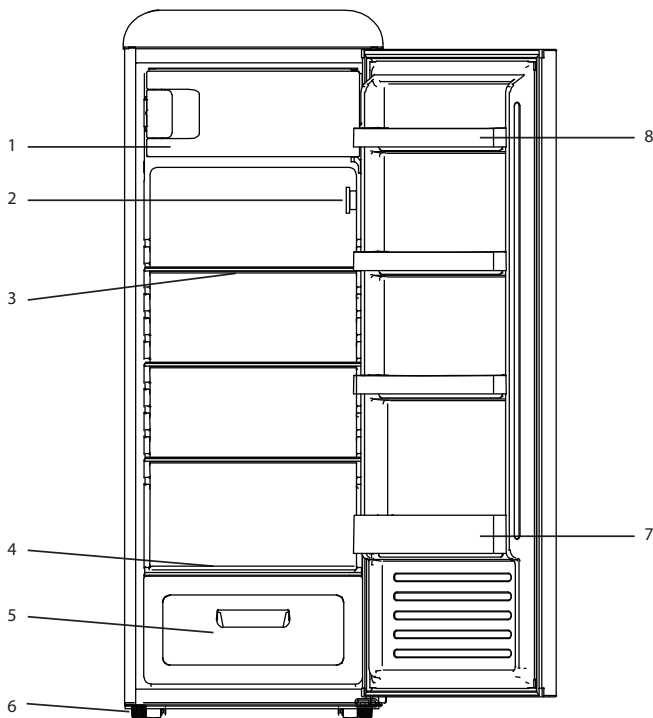
## ASSISTANCE TECHNIQUE

Avant d'appeler le service Après-Vente, si le réfrigérateur n'est pas en fonction, vérifier que la fiche d'alimentation soit bien insérée dans la prise de courant et que le thermostat ne soit pas en position "0"; si le réfrigérateur fait du bruit, contrôler le nivellement et vérifier qu'il n'y ait aucun objet en contact avec la paroi postérieure; si le réfrigérateur n'a pas un rendement suffisant, contrôler que l'intérieur ne soit pas plein, que la porte se ferme et que le condensateur ne soit pas plein de poussière.

Si dans la partie inférieure du réfrigérateur il devait avoir de l'eau (bac à légumes et plan extractible) vérifier que le trou permettant la sortie de l'eau de dégivrage ne soit pas obstrué. L'installation est à la charge de l'acheteur. Notre société n'est pas responsable des dommages dus à une mauvaise installation et décline toute responsabilité dans le cas où la connexion à terre ne soit pas conforme aux Normes Nationales en vigueur.

Au terme de la vie fonctionnelle de l'appareil utilisant le gaz réfrigérant R 600a (isobutane) et du gaz inflammable à l'intérieur de la mousse isolante, il faut prédisposer l'appareil en état de sécurité avant sa mise au rebut. Pour des informations relatives à cette opération, s'adresser à son revendeur de confiance ou à l'organisme local préposé.

**ATTENTION: Ne pas endommager le circuit réfrigérant.**



## PIECES ET CARACTERISTIQUES

Parties principales

1. Congélateur
2. Thermostat du réfrigérateur
3. Clayette du réfrigérateur
4. Couvercle du bac à légumes
5. Bac à légumes et fruits
6. Pieds ajustables
7. Balconnet bouteilles
8. Balconnet

Le dessin, le nombre d'étagères ne sont qu'indicatifs. Document non contractuel pouvant être soumis à modifications.

## Instructions d'installation

1. Assurez-vous que l'appareil reste debout durant son transport. Ne pas pencher l'appareil de plus de 45 degrés lorsque vous le déplacez. Ne pas exercer de pressions sur le condensateur, la porte et sa poignée pour éviter des déformations ou des perturbations du fonctionnement du réfrigérateur.
2. Assurez-vous qu'il y a suffisamment d'espace autour du réfrigérateur pour qu'il puisse bien fonctionner. Prévoyez une douzaine de cms d'espace libre à l'arrière et sur les côtés de l'appareil pour que l'air puisse circuler pour refroidir le compresseur. Laissez également une trentaine de centimètres au dessus de celui-ci.
3. Placez l'appareil loin de la lumière directe du soleil et des sources de chaleur (poêles, appareil de chauffage, radiateurs, etc...). La lumière directe du soleil peut endommager le revêtement en acrylique et les sources de chaleur peuvent augmenter la consommation d'électricité. Des températures ambiantes extrêmement froides peuvent aussi entraîner des dysfonctionnements. Eviter de mettre l'appareil dans des endroits humides. S'il y a trop d'humidité dans l'air, il y aura rapidement du givre sur l'évaporateur.

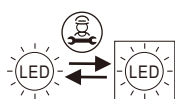
Ce produit est conforme aux directives de 2006/95 / CE (LVD) et 2004/108 / CE (CEM)

Lisez toutes les instructions avant d'utiliser l'appareil

- Cet appareil est uniquement destiné à une utilisation domestique et intérieure.
- Cet appareil n'est pas prévu pour être utilisé par des personnes (y compris des enfants) dont les capacités physiques, sensorielles ou mentales sont réduites, ou des personnes dénuées d'expérience ou de connaissance, sauf si elles ont pu bénéficier, par l'intermédiaire d'une personne responsable de leur sécurité, d'une surveillance ou d'instructions préalables concernant l'utilisation de l'appareil.
- Il convient de surveiller les enfants pour s'assurer qu'ils ne jouent pas avec l'appareil.
- MISE EN GARDE : Maintenir dégagées de toute obstruction les ouvertures de ventilation dans l'enceinte de l'appareil, dans sa partie extérieure ou dans sa structure d'encastrement.

MISE EN GARDE: Ne pas endommager le circuit de réfrigération.

- MISE EN GARDE: Ne pas utiliser de dispositifs mécaniques ou autres moyens pour accélérer le processus de dégivrage, autres que ceux recommandés par le fabricant.
- MISE EN GARDE: Ne pas utiliser d'appareils électriques à l'intérieur du compartiment destiné à la conservation des denrées alimentaires, à moins qu'ils ne soient du type recommandé par le fabricant.
- Avant de jeter votre appareil : enlever la porte, laissez les étagères en place pour que les enfants ne puissent pas jouer facilement à l'intérieur.
- Ne laissez jamais les enfants faire fonctionner ou jouer avec l'appareil.
- Ne nettoyez jamais des éléments de l'appareil avec des fluides inflammables. Les fumées représentent un risque d'incendie ou peuvent provoquer des explosions.
- Ne stockez pas ou n'utilisez pas d'essence ou d'autres gaz ou liquides inflammables près de cet appareil. Les fumées peuvent provoquer un incendie ou une explosion.
- N'installez pas cet appareil dans un endroit à des conditions climatiques extrêmes telles que : ventilation insuffisante, températures inférieures à 10°C ou supérieures à 30°C



Source lumineuse remplaçable (LED uniquement) par un professionnel. Ce produit contient deux sources lumineuses de classe d'efficacité énergétique G.

## Zone fraîche

C'est là où vous devez stocker les aliments qui pourront être conservés plus longtemps si vous les

maintenez frais. Lait, yaourts, jus de fruit, fromages à pâte dure, par exemple le cheddar. Bouteilles et autres bocaux ouverts de sauces de salade, sauces et confitures. Matières grasses, par exemple le beurre, la margarine, les produits à tartiner allégés, les fritures et le lard. Oeufs.

## Zone la plus froide : 1°C à 5°C

C'est là où il faut mettre les aliments qui doivent être froids pour être conservés en toute sécurité. Il s'agit plus généralement de tout produit frais dont la date limite de consommation (DLC) est associée à une température de conservation inférieure ou égale à +4°C.

- Les aliments crus et non cuits doivent toujours être enveloppés.
- Aliments précuits réfrigérés, par exemple les aliments prêts à consommer, les pâtés à la viande, les fromages à pâte molle.
- Viandes précuites, par exemple le jambon.
- Salades préparées (y compris les salades vertes composées, en morceaux, prélavées, préemballées, le riz, la salade de pommes de terre, etc.).

Desserts, par exemple le fromage frais, la nourriture préparée à la maison et les restes ou les gâteaux à la crème.

## Bac à salade

C'est la partie la plus humide du Réfrigérateur.

Légumes, fruits, morceaux de salade fraîche, par exemple laitues entières non lavées, tomates entières, radis, etc... NOUS RECOMMANDONS QUE TOUS LES PRODUITS CONSERVES DANS LE BAC A SALADE SOIT EMBALLEES.

### REMARQUE :

EMBALLEZ TOUJOURS ET STOCKEZ LA VIANDE CRUE, LE POULET ET LE POISSON SUR LA CLAYETTE LA PLUS BASSE AU BAS DU REFRIGERATEUR. DE CETTE FAÇON, ILS NE S'EGOUTTERONT PAS SUR, OU NE TOUCHERONT PAS LES AUTRES ALIMENTS. NE STOCKEZ PAS DE GAZ OU DE LIQUIDE INFLAMMABLE

## Congélateur

### Étagère du congélateur

Stockez les aliments par petites portions.

### Tiroir supérieur du congélateur

Fermez les aliments dans des récipients à couvercle, dans des emballages plastique ou des sacs en plastique afin d'éviter le dessèchement et le mélange des odeurs.

### Remarque:

Pour obtenir plus d'espace, vous pouvez stocker les aliments après avoir retiré les tiroirs et le bac à glaçons.

Le volume de stockage du compartiment congélateur est calculé après avoir retiré le bac à glaçons, le tiroir de glace et les tiroirs congélateurs du haut et du milieu.

## Emballage des aliments

Emballez les aliments en portions adaptées à vos besoins.

Les portions de fruits et de légumes ne doivent pas dépasser 1 kg, celles de viande peuvent atteindre 2,5 kg.

Les petites portions congèlent plus rapidement et permettent de mieux préserver la qualité des aliments lors de la décongélation et de la préparation des plats.

Il est important de conditionner les aliments dans des sacs ou récipients hermétiques avant de les congeler pour éviter qu'ils perdent leur goût ou se déshydratent.

Emballez les aliments, expulsez l'air et fermez hermétiquement le sac ou le récipient.

### Emballages appropriés :

Sacs en plastique, film étirable, papier d'aluminium et barquettes pour congélation. Vous pouvez vous procurer ces emballages chez vos commerçants habituels.

### Emballages inappropriés :

Papier d'emballage, sulfurisé ou cellophane, sacs poubelles ou sachets ayant déjà été utilisés.

### Dispositifs d'étanchéité appropriés :

Elastiques, agrafes en plastique, cordelettes, liens pour sacs congélation ou dispositif similaire.

Les films et sacs plastiques peuvent être scellés à l'aide d'un fer ou d'une presse spécial.

Avant de placer le paquet dans le congélateur, apposez-y une étiquette portant la désignation du contenu et la date de congélation.

**Seul un technicien habilité peut changer le LED en cas de panne.**

### Précautions:

1. Branchez l'appareil dans une prise murale exclusive convenablement installée et mise à la terre. Ne coupez ou n'enlevez jamais (quelle que soit la raison) le troisième fil (terre) du cordon d'alimentation. Toute question concernant l'alimentation ou la mise à la terre doit être posée à un électricien accrédité ou à un centre habilité à travailler sur ce type de produit.

Avertissement : Si la prise reliée à la terre est utilisée de façon inappropriée, il peut y avoir un risque de choc électrique.

2. La prise de l'installation doit toujours être munie d'un raccordement à la terre. Si l'approvisionnement en courant n'est pas connecté à la terre ; vous ne devez pas connecter l'appareil
3. Ne pas jeter de l'eau sur le réfrigérateur: elle peut causer des pannes d'équipement ou des risques de choc électrique.
4. Ne stockez pas ou n'utilisez pas d'essence ou d'autres gaz ou liquides inflammables près de cet appareil. Les fumées peuvent provoquer un incendie ou une explosion.

### Utilisation:

1. Avant de brancher l'appareil au courant électrique, laissez le au repos pendant environ deux heures. Vous réduirez ainsi le risque de dysfonctionnement dans le système de refroidissement, dû à la manutention pendant le transport. Faire fonctionner votre produit environ 2/3 heures avant d'ajouter de la nourriture

**MISE EN GARDE :** Pour éviter un danger causé par une instabilité de l'appareil, celui-ci doit être installé et fixé en accord avec les instructions de la notice d'installation.

2. Utilisation du thermostat:

Pour réguler la température dans le réfrigérateur, tourner le bouton du thermostat de droite à gauche. Le thermostat peut être réglé sur une position allant de "0" (arrêt) à "7" (le plus froid).

Pour une utilisation normale, merci de sélectionner la position « 5 »

3. Ne mettez pas trop de nourriture dans l'appareil. N'ouvrez pas trop souvent la porte pour maintenir la température intérieure et faire des économies d'électricité.

### Dégivrage:

Afin de permettre à l'appareil de fonctionner correctement, il est nécessaire de procéder au dégivrage au moins 1 fois par an ou lorsque la couche de glace est supérieure à 10 mm.

Vous pouvez de temps en temps éliminer la couche de glace qui s'est formée à l'aide d'une raclette ou de tout autre instrument en plastique.

**NE JAMAIS UTILISER D'INSTRUMENT METALLIQUE OU D'APPAREIL ELECTRIQUE POUR PROCEDER AU DEGIVRAGE.**

### Mises en garde:

- Lorsque vous dégivrez, n'utilisez jamais d'objet coupant ou métallique pour enlever la glace sur la surface de l'évaporateur pour ne pas endommager ce dernier.
- Rebranchez le courant à nouveau après plus de 15 minutes.
- Ne stockez pas les bouteilles à plat dans le congélateur pour éviter qu'elles ne se cassent à cause du gel. (added this sentence then same as GE & DE)

### Pour dégivrer:

Pour dégivrer l'appareil, choisissez une période où votre appareil n'est pas trop chargé. Ôtez toute la nourriture, placez la dans un autre réfrigérateur ou dans un endroit très frais. Réglez le thermostat sur la position arrêt (0), débranchez l'appareil et ouvrez la porte. Une fois le givre fondu, éliminez l'eau et séchez l'intérieur du réfrigérateur.

Attendez 15 minutes puis rebranchez l'appareil. On peut alors redémarrer le réfrigérateur en tournant le thermostat sur le ré-glage désiré.



**Danger; risque d'incendie / matières inflammables**

- **AVERTISSEMENT:** Lors du positionnement de l'appareil, s'assurer que le cordon d'alimentation n'est pas coincé ni endommagé.

- **AVERTISSEMENT:** Ne pas placer de socles mobiles de prises multiples ni de blocs d'alimentation portables à l'arrière de l'appareil.

### ENTRETIEN ET MAINTENANCE

1. Nettoyage de votre Réfrigérateur:

- Débranchez l'appareil
- Lavez l'intérieur avec de l'eau chaude et une solution de bicarbonate. Pour cela, ajoutez environ cuillères de table de bicarbonate à un litre d'eau.

- 2 Lavez les étagères et les plateaux avec une solution de détergent doux. L'extérieur de l'appareil doit être nettoyé avec un détergent doux et de l'eau chaude.

## GUIDE DE DIAGNOSTIC DE PANNES

### Le réfrigérateur ne fonctionne pas, la lumière ne fonctionne pas :

- L'appareil n'est pas branché
- L'interrupteur est sur la position arrêt.
- L'ampoule est grillée

### Le réfrigérateur n'est pas assez froid :

- La température du thermostat n'est pas réglée correctement.
- L'environnement extérieur peut nécessiter un réglage plus élevé.
- La porte est ouverte trop souvent, ou la porte n'est pas complètement fermée.
- Le joint de porte n'est pas assez étanche.
- Il n'y a pas assez d'espace entre l'appareil et les parois derrière et sur les côtés.

### Le réfrigérateur semble faire trop de bruit :

- Le bruissement peut venir du flux du réfrigérant, ce qui est normal.
- A la fin de chaque cycle, il se peut que vous entendiez des gargouillements dus au flux du réfrigérant dans votre appareil.
- La contraction et l'expansion des parois intérieures peuvent provoquer des craquements et des crépitements.
- L'appareil n'est pas à niveau.

#### Notes:

Eviter de mettre l'appareil dans des endroits humides. S'il y a trop d'humidité dans l'air, il y aura rapidement du givre sur l'évaporateur.

Pendant les périodes de forte humidité relative, la condensation peut se former sur la surface du réfrigérateur. Ce n'est pas un dysfonctionnement. Nettoyer la surface. Si le réfrigérateur ne fonctionne pas correctement après toutes ces vérifications, contactez le service technique sans plus tarder.

Garder la facture ou preuve d'achat du produit pour pouvoir utiliser la garantie. Pour toute question en cours d'utilisation, merci de contacter votre magasin.

## ÉLIMINATION

Ce logo apposé sur le produit signifie qu'il s'agit d'un appareil dont le traitement en tant que déchet rentre dans le cadre de la directive 2012/19/EC du 27 janvier 2003, relative aux déchets d'équipements électriques et électroniques (DEEE).

La présence de substances dangereuses dans les équipements électriques et électroniques peut avoir des effets potentiels sur l'environnement et la santé humaine dans le cycle de traite-

ment de ce produit.

Ainsi, lors de la fin de vie de cet appareil, celui-ci ne doit pas être éliminé avec les déchets municipaux non triés.

En tant que consommateur final, votre rôle est primordial dans le cycle de réutilisation, de recyclage et les autres formes de valorisation de cet équipement électrique et électronique. Des systèmes de reprise et de collecte sont mis à votre disposition par les collectivités locales (déchetteries) et les distributeurs.

Vous avez l'obligation d'utiliser les systèmes de collecte sélective mise à votre disposition.

## Conseils - Economies d'énergie

Installez l'appareil dans une pièce fraîche, sèche et convenablement aérée.

Veillez à ne pas exposer l'appareil aux rayons solaires et ne le placez jamais à proximité d'une source directe de chaleur (près d'un radiateur, par exemple).

Ne bouchez jamais les orifices ou grilles d'aération de l'appareil.

Laissez refroidir les aliments avant de les placer dans l'appareil.

Placez les produits congelés dans le réfrigérateur pour les décongeler.

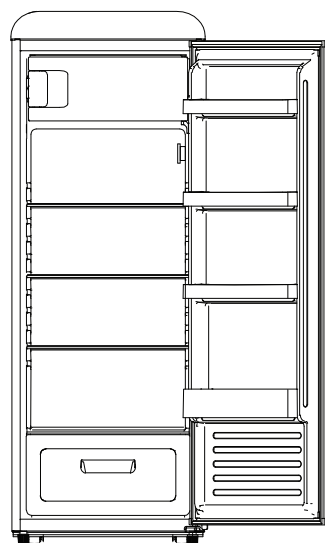
La basse température des produits congelés contribuera au refroidissement des aliments se trouvant dans le réfrigérateur.

Dégivrez le congélateur lorsque la glace s'y est accumulée. Une épaisse couche de glace risque d'altérer le transfert du froid vers les produits congelés et d'augmenter ainsi la consommation d'énergie de l'appareil.

Ne laissez pas les portes de l'appareil ouvertes pendant trop longtemps lorsque vous rangez ou retirez des aliments de l'appareil.

La glace se formera d'autant moins dans le congélateur que vous laisserez la porte ouverte le moins longtemps possible.

Vous avez l'obligation d'utiliser les systèmes de collecte sélective mis à votre disposition.



Signification de l'étiquetage\* des congélateurs

- i** Les congélateurs 1- (\*), 2- (\*\*), et 3 étoiles (\*\*\*) ne conviennent pas pour congeler des aliments frais.
- i** Les congélateurs 2 étoiles (\*\*) et 3 étoiles (\*\*\*) conviennent pour stocker des aliments surgelés (pré-congelés) et de la glace ou pour faire de la glace et des glaçons.

COMPARTIMENTS	ÉTOILES (*)	TEMPERATURE DE STOCKAGE CIBLÉ	ALIMENTS APPROPRIES
CONGELATEUR	(***)*	≤ -18 °C	<ul style="list-style-type: none"> <li>➤ Convient aux fruits de mer (poissons, crevettes, crustacés), eau douce et produits carnés.</li> <li>➤ Durée de conservation recommandée : <b>3 mois</b></li> </ul> <p><b>i</b> <b>Convient</b> pour congeler des aliments <b>frais</b></p>
CONGELATEUR	***	≤ -18 °C	<ul style="list-style-type: none"> <li>➤ Convient aux fruits de mer (poissons, crevettes, crustacés), eau douce et produits carnés.</li> <li>➤ Durée de conservation recommandée : <b>3 mois</b></li> </ul> <p><b>i</b> <b><u>Ne convient pas</u></b> pour congeler des aliments <b>frais</b>.</p>
CONGELATEUR	**	≤ -12 °C	<ul style="list-style-type: none"> <li>➤ Convient aux fruits de mer (poissons, crevettes, crustacés), eau douce et produits carnés.</li> <li>➤ Durée de conservation recommandée : <b>2 mois</b></li> </ul> <p><b>i</b> <b><u>Ne convient pas</u></b> pour congeler des aliments <b>frais</b>.</p>
CONGELATEUR	*	≤ -6 °C	<ul style="list-style-type: none"> <li>➤ Convient aux fruits de mer (poissons, crevettes, crustacés), eau douce et produits carnés.</li> <li>➤ Durée de conservation recommandée : <b>1 mois</b></li> </ul> <p><b>i</b> <b><u>Ne convient pas</u></b> pour congeler des aliments <b>frais</b>.</p>
0* - COMPARTIMENT	-	-6 °C - 0 °C	<ul style="list-style-type: none"> <li>➤ Convient aux produits à base de viande fraîche (porc, bœuf, poulet, etc.) et aux aliments transformés consommés ou transformés le jour même ou dans les trois jours suivant le stockage (max.).</li> </ul> <p><b>i</b> <b><u>Ne convient pas</u></b> pour congeler des aliments ou pour conserver des aliments surgelés.</p>